

PARTS CATALOG

**MF4010/4010B/4012/4012B/
4012G/4018/4120/4120K/
4122/4130/4140/4150/4150K**

Canon

Jul 17 2009

PREFACE

This Parts Catalog contains listings of parts used

Diagrams are provided with the listings to aid the service technician in identifying clearly, the item to be ordered.

Whenever ordering parts, consult this Parts Catalog for all of the information pertaining to each item. Be sure to include, in the Parts Request, the full item description, the item part number, and the quantity.

COPYRIGHT (C) 1999 CANON INC.

Use of this manual should be strictly supervised to avoid disclosure of confidential information.

Contents

NUMERICAL INDEX

MF4010/4010B/4012/4012B/4012G/4018/4120/4120K/4122/4130/4140/
4150/4150K(Numerical Index)..... 1-1

MF4010/4010B/4012/4012B/4012G/4018/4120/4120K/4122/4130/4140/
4150/4150K(Parts Catalog)

A	ASSEMBLY LOCATION DIAGRAM	2-1
001	ACCESSORIES	2-2
100	EXTERNAL COVERS, PANELS, ETC.	2-4
101	INTERNAL COMPONENTS 1	2-9
102	INTERNAL COMPONENTS 2	2-11
103	INTERNAL COMPONENTS 3(DUPLEXING MODEL)	2-13
103A	INTERNAL COMPONENTS 3(ONE SIDED MODEL)	2-16
104	BASE PLATE ASS'Y	2-19
310	PAPER PICK-UP ASS'Y	2-21
400	READER ASS'Y	2-23
810	FIXING ASS'Y	2-25
A10	ADF ASS'Y	2-28

NUMERICAL INDEX

MF4010/4010B/4012/4012B/4012G/4018/4120/4120K/4122/4130/4140/4150

PARTS NUMBER	FIGURE & KEY NO.	PARTS NUMBER	FIGURE & KEY NO.	PARTS NUMBER	FIGURE & KEY NO.
FC5-4820-000	100 - 13	FC7-3713-000	400 - 5	FK2-2869-000	400 - 6
FC6-5204-000	100 - 1	FC7-3714-000	100 - 12	FK2-3492-000	101 - 9
FC6-5210-000	102 - 5	FC7-3726-000	100 - 26	FK2-3494-000	101 - 9
FC6-5210-000	103 - 22	FC7-3727-000	101 - 17	FK2-3502-000	101 - 9
FC6-5210-000	103A - 20	FC7-3728-000	100 - 13	FK2-3506-000	103 - 39
FC7-3544-000	A10 - 1	FC7-3741-000	A10 - 1	FK2-3508-000	310 - 1
FC7-3548-000	A10 - 10	FC7-3742-000	A10 - 2	FK2-3510-000	103 - 11
FC7-3549-000	A10 - 2	FC7-3743-000	100 - 6	FK2-3516-000	400 - 7
FC7-3553-000	400 - 12	FC7-3744-000	100 - 7	FK2-3517-000	400 - 8
FC7-3554-010	100 - 4	FC7-3751-000	100 - 15	FK2-3698-020	103 - 5
FC7-3557-000	810 - 1	FC7-3752-000	100 - 15	FK2-3699-020	103 - 5
FC7-3558-000	101 - 1	FC7-3753-000	100 - 15	FK2-3702-000	103 - 42
FC7-3561-010	100 - 6	FC7-3764-010	100 - 29	FK2-3703-000	103 - 42
FC7-3565-000	100 - 2	FC7-3765-000	102 - 16	FK2-3704-000	103 - 42
FC7-3566-010	100 - 7	FC7-3766-000	100 - 33	FK2-3765-000	400 - 8
FC7-3573-000	100 - 27	FC7-3767-000	102 - 16	FK2-4389-000	001 - 4
FC7-3596-000	100 - 23	FC7-3788-000	100 - 28	FK2-4390-000	101 - 18
FC7-3597-000	100 - 24	FC7-3813-000	310 - 11	FK2-4391-000	001 - 3
FC7-3598-000	100 - 25	FC7-3816-000	100 - 31	FK2-4393-000	101 - 12
FC7-3607-000	A10 - 11	FC7-3817-000	100 - 30	FK2-4560-010	001 - 1
FC7-3615-000	400 - 1	FC7-3821-000	100 - 14	FK2-4561-000	001 - 7
FC7-3616-000	400 - 2	FC7-3823-000	310 - 8	FK2-4642-000	400 - 7
FC7-3621-000	103 - 6	FC7-3825-000	810 - 13	FK2-4647-000	001 - 1
FC7-3621-000	103A - 6	FC7-3826-000	810 - 12	FK2-5232-000	101 - 9
FC7-3623-000	400 - 3	FC7-3827-000	100 - 33	FK2-5233-000	001 - 1
FC7-3630-000	400 - 4	FC8-0648-000	100 - 32	FK2-5737-000	001 - 1
FC7-3637-000	A10 - 8	FC8-0649-000	100 - 32	FK2-5790-000	103 - 42
FC7-3638-000	100 - 11	FC8-0651-000	100 - 7	FK2-5927-000	103A - 5
FC7-3639-000	100 - 18	FC8-0657-000	400 - 12	FK2-6748-000	001 - 1
FC7-3641-010	810 - 2	FC8-0659-000	100 - 11	FK2-6749-000	001 - 1
FC7-3642-000	810 - 3	FC8-0661-000	100 - 2	FK2-6750-000	001 - 1
FC7-3643-000	810 - 4	FC8-0663-000	100 - 26	FK2-6890-000	101 - 14
FC7-3644-000	810 - 5	FC8-0664-000	100 - 23	FK2-6890-000	101 - 19
FC7-3645-000	810 - 6	FC8-0665-000	100 - 24	FK2-7595-000	103 - 48
FC7-3646-000	102 - 7	FC8-0666-000	100 - 25	FK2-7595-000	103A - 28
FC7-3647-000	103 - 20	FC8-0667-000	100 - 18	FK2-7595-000	103A - 28
FC7-3647-000	103A - 19	FC8-0670-000	100 - 4	FL2-5620-000	100 - 3
FC7-3648-000	100 - 9	FC8-0671-000	100 - 10	FL2-5621-000	400 - 9
FC7-3649-000	100 - 10	FC8-0683-000	100 - 13	FL2-5629-000	101 - 3
FC7-3652-000	810 - 7	FC8-0684-000	102 - 2	FL3-1388-000	400 - 9
FC7-3653-000	103 - 21	FC8-0685-010	810 - 2	FM2-8861-000	A10 - 4
FC7-3656-000	100 - 19	FC8-0690-000	100 - 1	FM2-8862-000	A10 - 5
FC7-3657-000	100 - 20	FC8-0694-000	102 - 16	FM2-8864-000	A10 - 6
FC7-3666-000	102 - 4	FC8-0695-000	100 - 29	FM2-8865-000	A10 - 7
FC7-3679-000	101 - 2	FC8-0696-000	102 - 16	FM2-8867-000	400 -
FC7-3690-000	103 - 8	FC8-1321-000	102 - 1	FM2-8868-000	400 - 10
FC7-3690-000	103A - 8	FC8-1394-000	100 - 11	FM2-8869-000	100 - 21
FC7-3700-000	102 - 2	FC8-1425-000	100 - 7	FM2-8870-000	100 - 16
FC7-3702-000	A10 - 9	FC8-9172-000	310 - 11	FM2-8871-010	310 -
FC7-3710-000	100 - 11	FK2-1311-000	101 - 13	FM2-8872-000	310 - 2
FC7-3711-000	100 - 11	FK2-1316-000	101 - 16	FM2-8874-000	101 - 6
FC7-3712-000	100 - 11	FK2-1317-000	101 - 15	FM2-8876-000	104 - 1

NUMERICAL INDEX

MF4010/4010B/4012/4012B/4012G/4018/4120/4120K/4122/4130/4140/4150

PARTS NUMBER	FIGURE & KEY NO.	PARTS NUMBER	FIGURE & KEY NO.	PARTS NUMBER	FIGURE & KEY NO.
FM2-8877-000	104 - 2	FM3-2185-020	103 - 5	FU7-0544-000	103 - 25
FM2-8879-000	103 - 12	FM3-2186-020	103 - 5	FU7-0544-000	103A - 22
FM2-8879-000	103A - 11	FM3-2352-000	102 - 12	FU7-0545-000	103 - 34
FM2-8882-000	102 - 3	FM3-2353-000	101 - 8	FU7-0546-000	103 - 40
FM2-8883-000	100 - 17	FM3-2355-000	101 - 8	FU7-0547-000	103 - 41
FM2-8884-010	102 - 13	FM3-4082-000	100 - 5	FU7-0970-000	103A - 31
FM2-8885-000	810 - 8	FM3-4084-000	100 - 17	FU7-0971-000	103A - 32
FM2-8890-000	810 -	FM3-4085-000	100 - 22	FU8-0470-000	103 - 38
FM2-8891-000	810 -	FM3-4089-000	102 - 15	HB1-4978-000	001 - 5
FM2-8892-000	810 -	FM3-4090-000	100 - 34	HC1-2012-000	001 - 6
FM2-8897-000	100 - 21	FM3-4091-000	100 - 34	HC1-2034-000	001 - 2
FM2-8898-000	100 - 21	FM3-4093-000	100 - 34	HH2-2824-000	103 - 43
FM2-8899-000	100 - 21	FM3-4094-000	100 - 34	HK1-0550-000	103 - 45
FM2-8900-000	100 - 21	FM3-4095-000	100 - 34	HK1-0559-000	103 - 47
FM2-8901-000	100 - 21	FM3-4096-000	100 - 34	NPN	001 -
FM2-8902-000	100 - 21	FM3-4097-000	810 -	NPN	100 -
FM2-8903-000	100 - 21	FM3-4098-000	810 - 8	NPN	101 -
FM2-8904-000	100 - 21	FM3-4099-000	102 - 13	NPN	102 -
FM2-8905-000	100 - 21	FM3-4101-000	400 -	NPN	103 -
FM2-8906-000	100 - 21	FM3-4103-000	100 - 8	NPN	103A -
FM2-8908-000	100 - 22	FM3-4104-000	100 - 5	NPN	104 -
FM2-8910-000	104 - 3	FM3-4107-000	100 - 5	NPN	A10 -
FM2-8911-000	310 - 3	FM3-4109-000	810 -	QK1-6441-000	103 - 44
FM2-8912-000	101 - 5	FM3-4111-000	400 -	QK1-6441-000	103 - 46
FM2-8913-000	400 -	FM3-4113-000	310 -	RA0-1019-000	103 - 1
FM2-8914-000	101 - 7	FM3-4116-000	104 - 1	RA0-1019-000	103A - 1
FM2-8915-000	810 - 9	FM3-4117-000	104 - 2	RA0-1172-000	103 - 18
FM2-8916-000	810 - 9	FM3-4118-000	100 - 22	RA0-1172-000	103A - 17
FM2-8917-000	810 - 9	FM3-4496-000	100 - 8	RC1-1953-000	103 - 2
FM2-8918-000	100 - 21	FM3-5430-000	103A - 5	RC1-1953-000	103A - 2
FM2-8919-000	100 - 21	FM3-9466-000	100 - 34	RC1-1954-000	103 - 3
FM2-8920-000	100 - 21	FM3-9475-000	810 -	RC1-1954-000	103A - 3
FM2-8922-000	100 - 21	FM4-5247-000	100 - 34	RC1-1955-000	103 - 4
FM2-8923-000	100 - 8	FM4-5248-000	100 - 34	RC1-1955-000	103A - 4
FM2-8924-000	100 - 8	FM4-5785-000	100 - 34	RC1-1959-000	103 - 7
FM2-8928-000	100 - 21	FU5-1804-000	102 - 9	RC1-1959-000	103A - 7
FM2-8929-000	100 - 21	FU5-1805-000	102 - 10	RC1-1960-000	310 - 4
FM2-8932-000	100 - 21	FU6-2254-000	103 - 27	RC1-1990-000	310 - 5
FM2-8933-000	100 - 5	FU6-2254-000	103A - 23	RC1-1993-000	310 - 6
FM2-9907-000	102 - 6	FU6-2255-000	103 - 28	RC1-1994-000	310 - 7
FM2-9909-000	102 - 12	FU6-2255-000	103A - 24	RC1-2040-000	310 - 9
FM2-9910-000	101 - 8	FU6-2255-000	310 - 14	RC1-2041-000	310 - 10
FM2-9911-000	101 - 8	FU6-2875-000	810 - 11	RC1-2043-000	310 - 12
FM2-9912-000	101 - 8	FU7-0538-000	103 - 29	RC1-2044-000	310 - 13
FM2-9914-000	101 - 10	FU7-0538-000	103A - 25	RC1-2079-000	810 - 14
FM2-9916-000	101 - 11	FU7-0539-000	103 - 30	RC1-2097-000	810 - 15
FM2-9925-000	103 - 49	FU7-0539-000	103A - 26	RC1-2098-000	810 - 16
FM2-9925-000	103A - 29	FU7-0540-000	103 - 31	RC1-2139-000	810 - 17
FM2-9926-000	103 - 50	FU7-0541-000	103 - 23	RC1-3579-000	103 - 26
FM2-9929-000	103 - 51	FU7-0542-000	103 - 32	RC1-5550-000	310 - 15
FM2-9929-000	103A - 30	FU7-0543-000	103 - 33	RC1-5551-000	310 - 16
FM3-0255-000	810 - 10	FU7-0543-000	103A - 27	RC1-5552-000	310 - 17

NUMERICAL INDEX

MF4010/4010B/4012/4012B/4012G/4018/4120/4120K/4122/4130/4140/4150

PARTS NUMBER	FIGURE & KEY NO.	PARTS NUMBER	FIGURE & KEY NO.	PARTS NUMBER	FIGURE & KEY NO.
RC1-5553-000	310 - 18				
RK2-0777-000	103 - 24				
RK2-0777-000	103A - 21				
RL1-0266-000	310 - 19				
RL1-0268-000	310 - 20				
RM1-2046-000	310 - 21				
RU5-0174-000	103 - 14				
RU5-0174-000	103A - 13				
RU5-0175-000	103 - 15				
RU5-0175-000	103A - 14				
RU5-0176-000	103 - 16				
RU5-0176-000	103A - 15				
RU5-0179-000	103 - 19				
RU5-0179-000	103A - 18				
RU5-0180-000	310 - 22				
RU5-0312-000	103 - 35				
RU5-0313-000	103 - 36				
RU5-0314-000	103 - 37				
RU5-0503-000	103 - 10				
RU5-0503-000	103A - 10				
RU5-0505-000	103 - 13				
RU5-0505-000	103A - 12				
RU5-0506-000	103 - 17				
RU5-0506-000	103A - 16				
RU5-0523-000	810 - 19				
RU5-2178-000	810 - 20				
RU5-2492-000	102 - 11				
XA9-0476-000	400 - 11				
XA9-0476-000	A10 - 3				
XA9-1420-000	101 - 4				
XA9-1495-000	102 - 14				
XA9-1495-000	103 - 9				
XA9-1495-000	103A - 9				
XA9-1495-000	104 - 4				
XA9-1501-000	102 - 8				
XA9-1503-000	310 - 23				
XB2-8300-609	810 - 501				
XB4-5401-000	400 - 501				
XB4-5401-009	101 - 501				
XB4-5401-009	310 - 501				
XB4-5401-009	A10 - 501				
XB4-7300-807	100 - 501				
XB4-7300-807	A10 - 502				

MF4010/4010B/4012/4012B/4012G/ 4018/4120/4120K/4122/4130/4140/ 4150/4150K(Parts Catalog)

imageCLASS MF4150

120V TW	F14-9201-000	KVU
120V US	F14-9231-000	JVM
120V CA/LTN	F14-9231-000	KVT
230V AU	F14-9241-000	KVY
230V ASIA	F14-9241-000	KVZ
230V CN	F14-9251-000	STC
230V KR	F14-9261-000	STD

imageCLASS MF4150K

230V KR	F14-9267-000	MMB
----------------	---------------------	------------

imageCLASS MF4140

230V AU	F14-9242-000	STW
230V KR	F14-9262-000	CVX

imageCLASS MF4122

230V ASIA	F14-9244-000	SUB
230V CN	F14-9254-000	SUC

imageCLASS MF4120

230V CN	F14-9255-000	SUD
----------------	---------------------	------------

A zoom machine deadhead

230V KR F14-9264-000 SUE

imageCLASS MF4120K

230V KR F14-9268-000 MMF

imageCLASS MF4012

230V ASIA F14-9246-000 CET

230V CN F14-9256-000 CFR

imageCLASS MF4012B

230V CN F14-9276-000 FWV

imageCLASS MF4012G

230V CN F14-9278-000 FWU

imageCLASS MF4010

230V CN F14-9257-000 CRR

230V KR F14-9266-000 CFD

A zoom machine deadhead

imageCLASS MF4010B

230V CN F14-9277-000 FWX

i-SENSYS MF4150

230V EU1 F14-9291-000 JVN

230V EU2 F14-9291-000 KVW

230V EU3 F14-9291-000 KVX

i-SENSYS MF4140

230V EU1	F14-9292-000	JVQ
230V EU2	F14-9292-000	STE
230V EU3	F14-9292-000	STF

i-SENSYS MF4120

230V EU1	F14-9294-000	JVS
230V EU2	F14-9294-000	STZ

i-SENSYS MF4018

230V RU	F14-9297-000	CEL
230V RU	F14-9298-000	EFG

i-SENSYS MF4010

230V EU1	F14-9296-000	CDY
230V EU2	F14-9296-000	CED

Satera MF4150

100V JP	F14-9211-000	JVP
----------------	---------------------	------------

Satera MF4130

100V JP	F14-9213-000	JVR
----------------	---------------------	------------

Satera MF4120

100V JP	F14-9214-000	JVT
----------------	---------------------	------------

Satera MF4010

100V JP

F14-9216-000 CDU

Contents

A	ASSEMBLY LOCATION DIAGRAM	2-1
001	ACCESSORIES	2-2
100	EXTERNAL COVERS, PANELS, ETC.	2-4
101	INTERNAL COMPONENTS 1	2-9
102	INTERNAL COMPONENTS 2	2-11
103	INTERNAL COMPONENTS 3(DUPLEXING MODEL).....	2-13
103A	INTERNAL COMPONENTS 3(ONE SIDED MODEL).....	2-16
104	BASE PLATE ASS'Y	2-19
310	PAPER PICK-UP ASS'Y	2-21
400	READER ASS'Y	2-23
810	FIXING ASS'Y	2-25
A10	ADF ASS'Y.....	2-28

FIGURE A ASSEMBLY LOCATION DIAGRAM

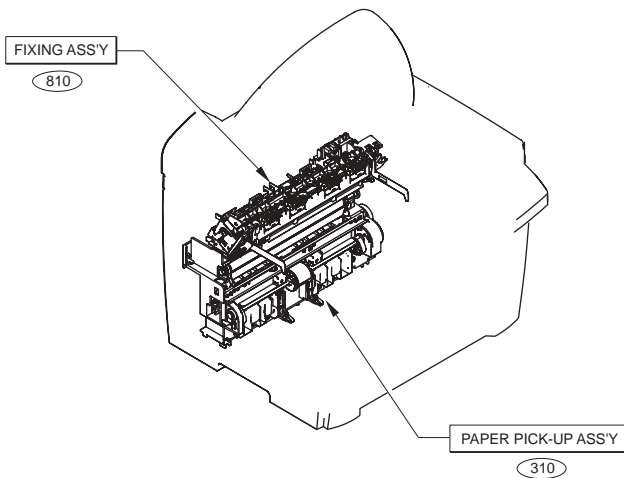
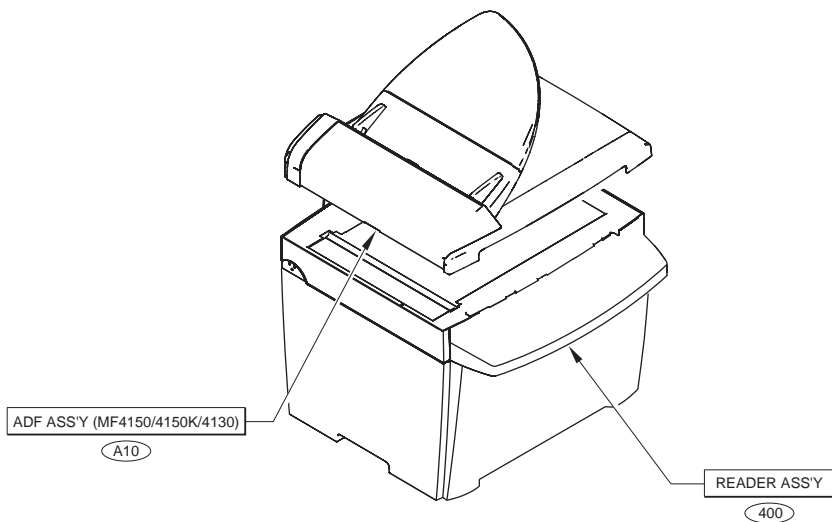


FIGURE 001 ACCESSORIES

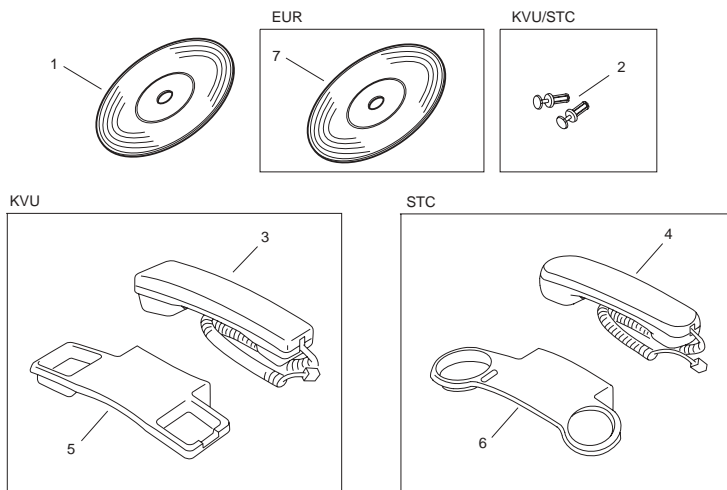


FIGURE & KEY NO.	PARTS NUMBER	R A N K	Q'TY	DESCRIPTION	SERIAL NUMBER/ REMARKS	S V C
Fig.001	NPN		RF	ACCESSORIES		
1	FK2-6748-000		1	CD-ROM, USER SOFTWARE	CDU	
1	FK2-6749-000		1	CD-ROM, USER SOFTWARE	CDY/CED/CEL/EFG	
1	FK2-6750-000		1	CD-ROM, USER SOFTWARE	CET/CFR/CRR/FWU/ FWV/FWX	
1	FK2-5233-000		1	CD-ROM, USER SOFTWARE	JVM	
1	FK2-5737-000		1	CD-ROM, USER SOFTWARE	JVP/JVR/JVT	
1	FK2-4647-000		1	CD-ROM, USER SOFTWARE	KVT	
1	FK2-4560-010		1	CD-ROM, USER SOFTWARE	KVU/KVY/KVZ/STC/STD/ STW/SUB/SUC/SUD/ SUE/CVX	
2	HC1-2034-000		2	RIVET	KVU/STC	
3	FK2-4391-000		1	HANDSET UNIT	KVU	
4	FK2-4389-000		1	HANDSET UNIT	STC	
5	HB1-4978-000		1	HOLDER, HANDSET CRADLE	KVU	
6	HC1-2012-000		1	HOLDER,HANDSET CRADLE	STC	
7	FK2-4561-000		1	CD-ROM, UTILITY	EUR	

FIGURE 100 EXTERNAL COVERS, PANELS, ETC.

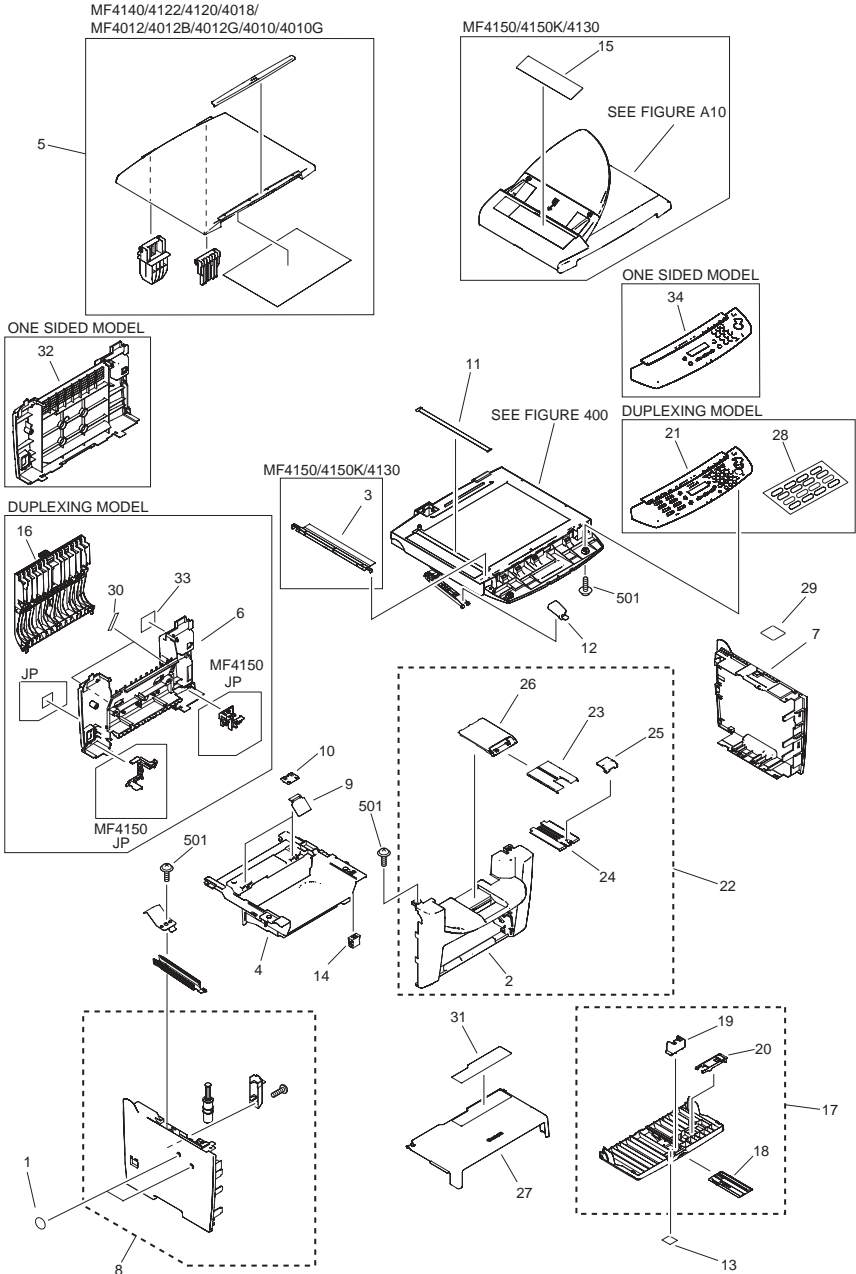


FIGURE & KEY NO.	PARTS NUMBER	R A N K	Q'TY	DESCRIPTION	SERIAL NUMBER/ REMARKS	S V C
Fig.100	NPN		RF	EXTERNAL COVERS, PANELS, ETC.		
1	FC6-5204-000		2	SHEET, HANDSET	EXCEPT MF4018/4012B/ 4012G/4010B	
1	FC8-0690-000		2	SHEET, HANDSET	MF4018/4012B/4012G/ 4010B	
2	FC7-3565-000		1	COVER, FRONT	EXCEPT CDY/CED/CET/ CFD/CFR/CRR	
2	FC8-0661-000		1	COVER, FRONT	CDY/CED/CET/CFD/CFR/ CRR	
3	FL2-5620-000		1	HOLDER, DOCUMENT RELEASE SHEET	MF4150/4150K/4130	
4	FC7-3554-010		1	COVER, CRG	EXCEPT CET/CFR/CRR/ CFD/CDY/CED	
4	FC8-0670-000		1	COVER, CRG	CET/CFR/CRR/CFD/CDY/ CED	
5	FM2-8933-000		1	COPYBORD COVER ASS'Y	DUPLEXING MODEL	
5	FM3-4082-000		1	COPYBORD COVER ASS'Y	CET/CRR/CFD/CDY/CED	
5	FM3-4107-000		1	COPYBORD COVER ASS'Y	CFR	
5	FM3-4104-000		1	COPYBORD COVER ASS'Y	CDU/CEL/EFG/FWU/ FWV/FWX	
6	FC7-3743-000		1	COVER, REAR	MF4130/4122/4120/4120K	
6	FC7-3561-010		1	COVER, REAR	MF4150/4150K/4140	
7	FC7-3744-000		1	COVER, RIGHT	DUPLEXING MODEL 100V	
7	FC7-3566-010		1	COVER, RIGHT	EXCEPT 100V/MF4018/ 4012B/4012G/4010B	
7	FC8-1425-000		1	COVER, RIGHT	MF4010 100V	
7	FC8-0651-000		1	COVER, RIGHT	MF4018/4012B/4012G/ 4010B	
8	FM2-8924-000		1	LEFT COVER ASS'Y	DUPLEXING MODEL 100V	
8	FM2-8923-000		1	LEFT COVER ASS'Y	EXCEPT 100V/MF4018/ 4012B/4012G/4010B	
8	FM3-4496-000		1	LEFT COVER ASS'Y	MF4010 100V	
8	FM3-4103-000		1	LEFT COVER ASS'Y	MF4018/4012B/4012G/ 4010B	
9	FC7-3648-000		2	SHEET, PAPER FEED		
10	FC7-3649-000		2	CAP, SHEET	DUPLEXING MODEL/ MF4010 JP/MF4018/ 4012B/4012G/4010B	

FIGURE & KEY NO.	PARTS NUMBER	R A N K	Q'TY	DESCRIPTION	SERIAL NUMBER/ REMARKS	S V C
10	FC8-0671-000		2	CAP, SHEET	ONE SIDED MODEL EXCEPT MF4010 JP/ MF4018/4012B/4012G/ 4010B	
11	FC7-3710-000		1	PLATE, PAPER SIZE	A SIZE EXCEPT MF4010 JP/MF4018	
11	FC7-3638-000		1	PLATE, PAPER SIZE	A/B SIZE	
11	FC7-3711-000		1	PLATE, PAPER SIZE	INCH SIZE	
11	FC7-3712-000		1	PLATE, PAPER SIZE	A/B/INCH SIZE	
11	FC8-1394-000		1	PLATE, PAPER SIZE	MF4010 100V	
11	FC8-0659-000		1	PLATE, PAPER SIZE	MF4018	
12	FC7-3714-000		1	RETAINER, STAY		
13	FC5-4820-000		1	EMBLEM, SATERA	100V	
13	FC7-3728-000		1	EMBLEM, LASER SHOT	EXCEPT 100V/MF4010/ 4012	
13	FC8-0683-000		1	EMBLEM, LASER SHOT	MF4010/4012	
14	FC7-3821-000		1	MAGNET		
15	FC7-3753-000		1	SHEET, GLASS CLEANING	ADF MODEL 100V	
15	FC7-3752-000		1	SHEET, GLASS CLEANING	ADF MODEL i-SENSYS MF4150 230V	
15	FC7-3751-000		1	SHEET, GLASS CLEANING	ADF MODEL imageCLASS MF4150 120/230V/MF4150K	
16	FM2-8870-000		1	DUPLEXING COVER UNIT	DUPLEXING MODEL	
17	FM2-8883-000		1	PAPER PICK-UP TRAY ASS'Y	EXCEPT MF4010/4012	
17	FM3-4084-000		1	PAPER PICK-UP TRAY ASS'Y	MF4010/4012	
18	FC7-3639-000		1	PLATE, EXTENSION	EXCEPT MF4010/4012	
18	FC8-0667-000		1	PLATE, EXTENSION	MF4010/4012	
19	FC7-3656-000		1	STOPPER, PAPER		
20	FC7-3657-000		1	STOPPER, CARD		
21	FM2-8903-000		1	CONTROL PANEL ASS'Y	MF4120 ILLUSTRATION	
21	FM2-8919-000		1	CONTROL PANEL ASS'Y	MF4120 JAPANESE	
21	FM2-8905-000		1	CONTROL PANEL ASS'Y	MF4120 KOREAN	
21	FM2-8920-000		1	CONTROL PANEL ASS'Y	MF4120 SIMPLIFIED CHINESE	
21	FM2-8904-000		1	CONTROL PANEL ASS'Y	MF4122 ENGLISH	

FIGURE & KEY NO.	PARTS NUMBER	RANK	Q'TY	DESCRIPTION	SERIAL NUMBER/REMARKS	SVC
21	FM2-8906-000		1	CONTROL PANEL ASS'Y	MF4122 SIMPLIFIED CHINESE	
21	FM2-8922-000		1	CONTROL PANEL ASS'Y	MF4140 ENGLISH	
21	FM2-8918-000		1	CONTROL PANEL ASS'Y	MF4140 ILLUSTRATION	
21	FM2-8899-000		1	CONTROL PANEL ASS'Y	MF4150 ENGLISH	
21	FM2-8898-000		1	CONTROL PANEL ASS'Y	MF4150 ILLUSTRATION	
21	FM2-8869-000		1	CONTROL PANEL ASS'Y	MF4150 JAPANESE	
21	FM2-8901-000		1	CONTROL PANEL ASS'Y	MF4150 KOREAN	
21	FM2-8900-000		1	CONTROL PANEL ASS'Y	MF4150 SIMPLIFIED CHINESE	
21	FM2-8902-000		1	CONTROL PANEL ASS'Y	MF4150 TRADITIONAL CHINESE	
21	FM2-8897-000		1	CONTROL PANEL ASS'Y	MF4150 US ENGLISH	
21	FM2-8932-000		1	CONTROL PANEL ASS'Y	MF4140 KOREAN	
21	FM2-8929-000		1	CONTROL PANEL ASS'Y	MF4120K KOREAN	
21	FM2-8928-000		1	CONTROL PANEL ASS'Y	MF4150K KOREAN	
22	FM2-8908-000		1	FRONT COVER ASS'Y	DUPLEXING MODEL/ EFG/FWU/FWV/FWX	
22	FM3-4085-000		1	FRONT COVER ASS'Y	CET/CFR/CRR/CFD/CDY/ CED	
22	FM3-4118-000		1	FRONT COVER ASS'Y	CDU/CEL	
23	FC7-3596-000		1	TRAY, PAPER DELIVERY	EXCEPT MF4010/4012	
23	FC8-0664-000		1	TRAY, PAPER DELIVERY	MF4010/4012	
24	FC7-3597-000		1	TRAY, PAPER DELIVERY EXTENSION	EXCEPT MF4010/4012	
24	FC8-0665-000		1	TRAY, PAPER DELIVERY EXTENSION	MF4010/4012	
25	FC7-3598-000		1	STOPPER, PAPER DELIVERY	EXCEPT MF4010/4012	
25	FC8-0666-000		1	STOPPER, PAPER DELIVERY	MF4010/4012	
26	FC7-3726-000		1	COVER, PAPER DELIVERY TRAY	EXCEPT MF4010/4012	
26	FC8-0663-000		1	COVER, PAPER DELIVERY TRAY	MF4010/4012	
27	FC7-3573-000		1	COVER, DUST		
28	FC7-3788-000		1	LABEL, DESTINATION	DUPLEXING MODEL	
29	FC7-3764-010		1	LABEL, JAM CLEARING	EXCEPT MF4010 JP/ MF4018	
29	FC8-0695-000		1	LABEL, JAM CLEARING	MF4010 JP/MF4018/ 4012B/4012G/4010B	

FIGURE & KEY NO.	PARTS NUMBER	R A N K	Q'TY	DESCRIPTION	SERIAL NUMBER/ REMARKS	S V C
30	FC7-3817-000		2	CAP. COVER, REAR	DUPLEXING MODEL	
31	FC7-3816-000		1	LABEL, SIZE INSTRUCTION		
32	FC8-0648-000		1	COVER, REAR	ONE SIDED MODEL EXCEPT MF4010 JP/ MF4018	
32	FC8-0649-000		1	COVER, REAR	MF4010 JP/MF4018/ 4012B/4012G/4010B	
33	FC7-3766-000		1	LABEL, JAM CLEARING, ADF2	MF4150/4150K/4130	
33	FC7-3827-000		1	LABEL, JAM CLEARING, P2	MF4140/4122/4120/4120K	
34	FM3-4090-000		1	CONTROL PANEL ASS'Y	I-SENSYS MF4010 ILLUSTRATION	
34	FM3-4091-000		1	CONTROL PANEL ASS'Y	MF4010 JAPANESE	
34	FM3-9466-000		1	CONTROL PANEL ASS'Y	MF4018 ILLUSTRATION	
34	FM3-4093-000		1	CONTROL PANEL ASS'Y	MF4010 KOREAN	
34	FM3-4094-000		1	CONTROL PANEL ASS'Y	MF4012 ENGLISH	
34	FM3-4095-000		1	CONTROL PANEL ASS'Y	MF4010 SIMPLIFIED CHINESE	
34	FM3-4096-000		1	CONTROL PANEL ASS'Y	MF4012 SIMPLIFIED CHINESE	
34	FM4-5247-000		1	CONTROL PANEL ASS'Y	MF4012B SIMPLIFIED CHINESE	
34	FM4-5248-000		1	CONTROL PANEL ASS'Y	MF4010B SIMPLIFIED CHINESE	
34	FM4-5785-000		1	CONTROL PANEL ASS'Y	MF4012G SIMPLIFIED CHINESE	
501	XB4-7300-807		AR	SCREW, TAP TIGHT, BINDING HEAD		

FIGURE 101 INTERNAL COMPONENTS 1

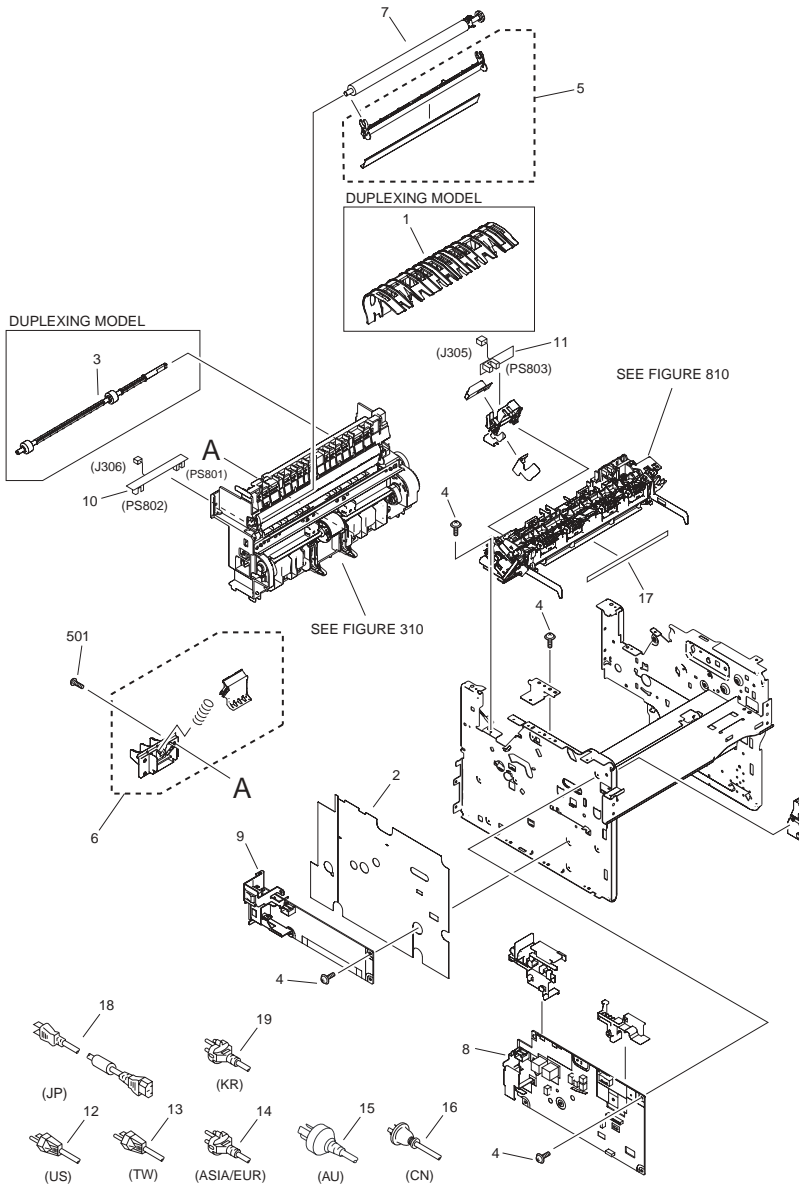


FIGURE & KEY NO.	PARTS NUMBER	R A N K	Q'TY	DESCRIPTION	SERIAL NUMBER/ REMARKS	S V C
Fig.101	NPN		RF	INTERNAL COMPONENTS 1		
1	FC7-3558-000		1	GUIDE, INNER FEED	DUPLEXING MODEL	
2	FC7-3679-000		1	SHEET, INSULATING		
3	FL2-5629-000		1	DUPLEXING FEED ROLLER ASS'Y	DUPLEXING MODEL	
4	XA9-1420-000		11	SCREW, WWASHER, M3X8		
5	FM2-8912-000		1	TRANSFER GUIDE ASS'Y		
6	FM2-8874-000		1	SEPARATION PAD ASS'Y		
7	FM2-8914-000		1	TRANSFER ROLLER ASS'Y		
8	FM2-9910-000		1	HVT PCB ASS'Y	DUPLEXING MODEL 100V	
8	FM2-9911-000		1	HVT PCB ASS'Y	DUPLEXING MODEL 120V	
8	FM2-9912-000		1	HVT PCB ASS'Y	DUPLEXING MODEL 230V	
8	FM3-2353-000		1	HVT PCB ASS'Y	ONE SIDED MODEL 100V	
8	FM3-2355-000		1	HVT PCB ASS'Y	ONE SIDED MODEL 230V	
9	FK2-3492-000		1	POWER SUPPLY ASSEMBLY	100V	
9	FK2-3502-000		1	POWER SUPPLY ASSEMBLY	120V	
9	FK2-3494-000		1	POWER SUPPLY ASSEMBLY	230V EXCEPT KR	
9	FK2-5232-000		1	POWER SUPPLY ASSEMBLY	KR	
10	FM2-9914-000		1	SENSOR PCB ASS'Y		
11	FM2-9916-000		1	SENSOR PCB ASS'Y		
12	FK2-4393-000		1	CORD, POWER	US	
13	FK2-1311-000		1	CORD, POWER	TW	
14	FK2-6890-000		1	CORD, POWER	ASIA/EUR	
15	FK2-1317-000		1	CORD, POWER	AU	
16	FK2-1316-000		1	CORD, POWER	CN	
17	FC7-3727-000		1	LABEL, HIGH TMP. CAUTION		
18	FK2-4390-000		1	CORD, POWER	JP	
19	FK2-6890-000		1	CORD, POWER	KR	
501	XB4-5401-009		4	SCREW, TAP, M4X10		

FIGURE 102 INTERNAL COMPONENTS 2

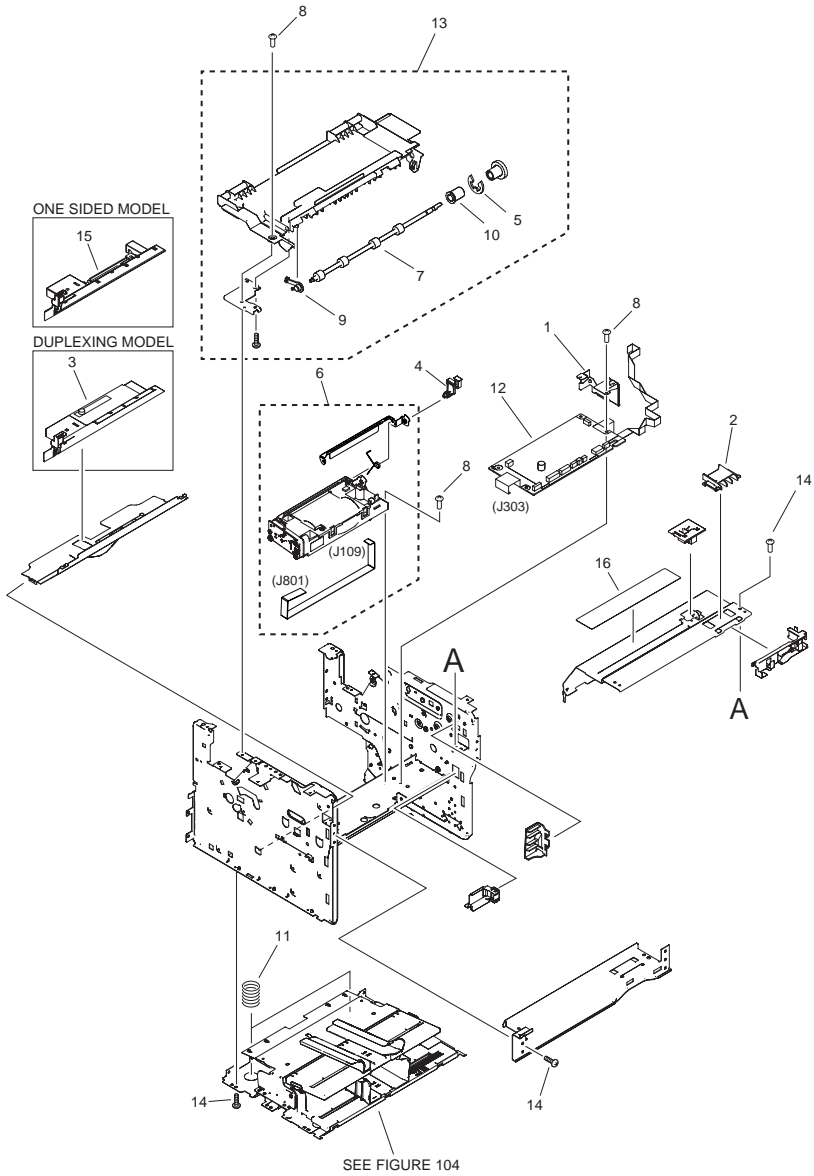


FIGURE & KEY NO.	PARTS NUMBER	R A N K	Q'TY	DESCRIPTION	SERIAL NUMBER/ REMARKS	S V C
Fig.102	NPN		RF	INTERNAL COMPONENTS 2		
1	FC8-1321-000		1	CROSSMEMBER, ENGINE CONTROLLER		
2	FC7-3700-000		1	COVER, FRONT LOWER	DUPLEXING MODEL/ MF4018/4012B/4012G/ 4010B	
2	FC8-0684-000		1	COVER, FRONT LOWER	ONE SIDED MODEL EXCEPT MF4018	
3	FM2-8882-000		1	TONER SENSOR ASS'Y	DUPLEXING MODEL	
4	FC7-3666-000		1	ARM, SHUTTER		
5	FC6-5210-000		1	RETAINING RING (E-TYRE)		
6	FM2-9907-000		1	LASER SCANNER ASS'Y		
7	FC7-3646-000		1	ROLLER, PAPER FEED		
8	XA9-1501-000		AR	SCREW, RS, M3X10		
9	FU5-1804-000		1	BUSHING, ROLLER, LEFT		
10	FU5-1805-000		1	BUSHING, ROLLER, RIGHT		
11	RU5-2492-000		2	SPRING, COMPRESSION		
12	FM2-9909-000		1	DCNT PCB ASS'Y	DUPLEXING MODEL	
12	FM3-2352-000		1	DCNT PCB ASS'Y	ONE SIDED MODEL	
13	FM2-8884-010		1	PAPER FEED COVER ASS'Y	EXCEPT MF4010 JP/ MF4018/4012B/4012G/ 4010B	
13	FM3-4099-000		1	PAPER FEED COVER ASS'Y	MF4010 JP/MF4018/ 4012B/4012G/4010B	
14	XA9-1495-000		AR	SCREW, RS, M3X6		
15	FM3-4089-000		1	PAPER SENSOR ASS'Y	ONE SIDED MODEL	
16	FC7-3765-000		1	LABEL, JAM CLEARING, ADF1	MF4150/4150K/4130	
16	FC7-3767-000		1	LABEL, JAM CLEARING, P1	MF4140/4122/4120/4120K	
16	FC8-0694-000		1	LABEL, JAM CLEARING, P1	ONE SIDED MODEL EXCEPT MF4010 JP/ MF4018/4012B/4012G/ 4010B/	
16	FC8-0696-000		1	LABEL, JAM CLEARING, P1	MF4010 JP/MF4018/ 4012B/4012G/4010B/	

FIGURE 103 INTERNAL COMPONENTS 3(DUPLEXING MODEL)

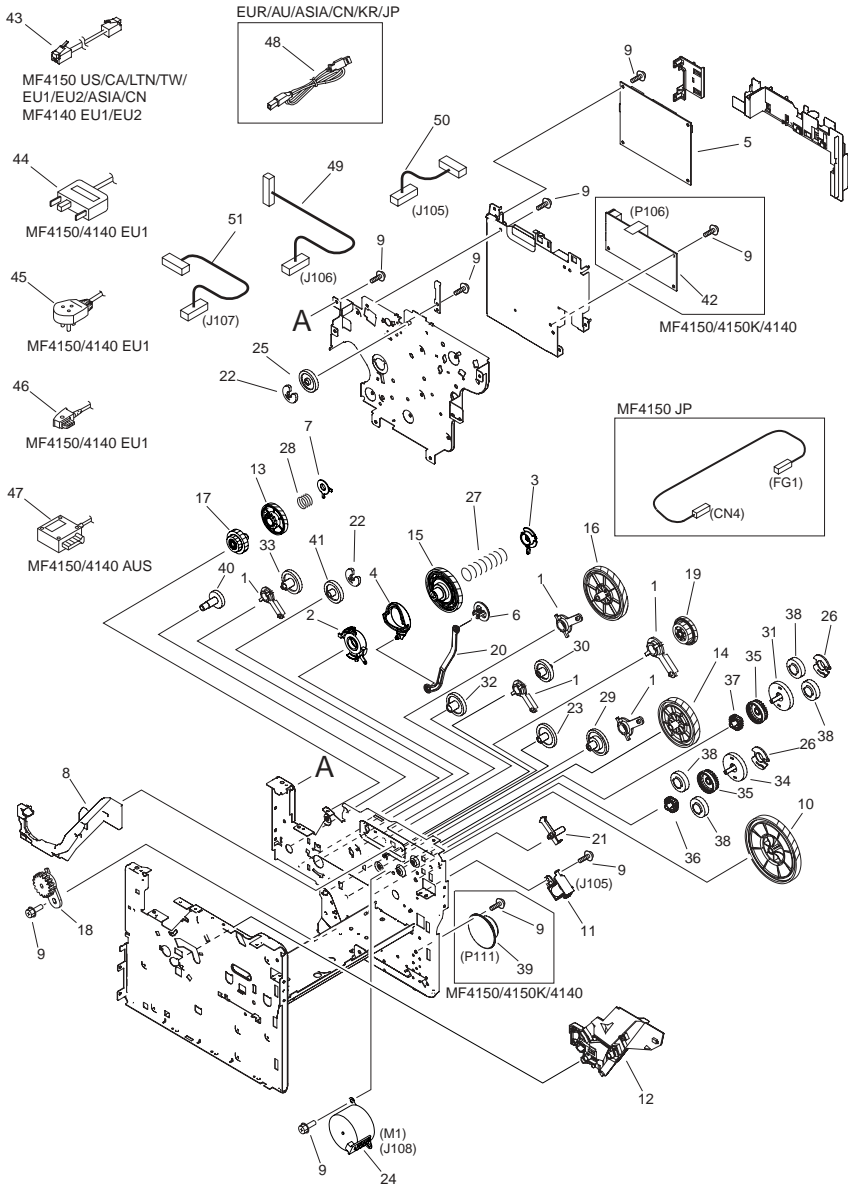


FIGURE & KEY NO.	PARTS NUMBER	RANK	Q'TY	DESCRIPTION	SERIAL NUMBER/REMARKS	SVC
Fig.103	NPN		RF	INTERNAL COMPONENTS 3	DUPLEXING MODEL	
1	RA0-1019-000		5	BUSHING		
2	RC1-1953-000		1	BUSHING		
3	RC1-1954-000		1	BUSHING		
4	RC1-1955-000		1	CAM, COUPLING		
5	FK2-3699-020		1	SCNT PCB ASS'Y	MF4122/4120/4120K	
5	FK2-3698-020		1	SCNT PCB ASS'Y	MF4130	
5	FM3-2186-020		1	SCNT PCB ASS'Y	MF4140	
5	FM3-2185-020		1	SCNT PCB ASS'Y	MF4150/4150K	
6	FC7-3621-000		1	STOPPER		
7	RC1-1959-000		1	BUSHING		
8	FC7-3690-000		1	GUIDE, CARTRIDGE, RIGHT		
9	XA9-1495-000		AR	SCREW, RS, M3X6		
10	RU5-0503-000		1	GEAR, 166T/87T		
11	FK2-3510-000		1	SOLENOID		
12	FM2-8879-000		1	CARTRIDGE GUIDE LEFT ASS'Y		
13	RU5-0505-000		1	GEAR, 74T		
14	RU5-0174-000		1	GEAR, 117T		
15	RU5-0175-000		1	GEAR, 108T		
16	RU5-0176-000		1	GEAR, 129T		
17	RU5-0506-000		1	GEAR, 35T/18T		
18	RA0-1172-000		1	GEAR, 17T		
19	RU5-0179-000		1	GEAR, 66T/25T		
20	FC7-3647-000		1	ARM, CARTRIDGE		
21	FC7-3653-000		1	ARM, SOLENOID		
22	FC6-5210-000		1	RETAINING RING (E-TYRE)		
23	FU7-0541-000		1	GEAR, 32T		
24	RK2-0777-000		1	MOTOR, STEPPING, DC		
25	FU7-0544-000		1	GEAR, 29T		
26	RC1-3579-000		2	BUSHING		
27	FU6-2254-000		1	SPRING, COMPRESSION		
28	FU6-2255-000		1	SPRING, COMPRESSION		

FIGURE & KEY NO.	PARTS NUMBER	R A N K	Q'TY	DESCRIPTION	SERIAL NUMBER/ REMARKS	S V C
29	FU7-0538-000		1	GEAR, 68/17T		
30	FU7-0539-000		1	GEAR, 28T		
31	FU7-0540-000		1	GEAR, 37T		
32	FU7-0542-000		1	GEAR, 30T		
33	FU7-0543-000		1	GEAR, 31T		
34	FU7-0545-000		1	GEAR, 38T		
35	RU5-0312-000		2	GEAR		
36	RU5-0313-000		1	GEAR		
37	RU5-0314-000		1	GEAR		
38	FU8-0470-000		4	GEAR, 18T		
39	FK2-3506-000		1	SPEAKER	MF4150/4150K/4140	
40	FU7-0546-000		1	GEAR, 23T		
41	FU7-0547-000		1	GEAR, 29T		
42	FK2-5790-000		1	NCU PCB ASS'Y	MF4140 AU	
42	FK2-3703-000		1	NCU PCB ASS'Y	MF4150 JP	
42	FK2-3704-000		1	NCU PCB ASS'Y	MF4150 TW	
42	FK2-3702-000		1	NCU PCB ASS'Y	MF4150/4140 US/EUR/ ASIA/CN/KR, MF4150 AU, MF4150K	
43	HH2-2824-000		1	MODULAR CORD	MF4150 US/CA/LTN/TW/ EU1/EU2/ASIA/ CNMF4140 EU1/EU2	
44	QK1-6441-000		1	CORD	MF4150/4140 EU1	
45	HK1-0550-000		1	MODULAR CORD	MF4150/4140 EU1	
46	QK1-6441-000		1	CORD	MF4150/4140 EU1	
47	HK1-0559-000		1	MODULAR CORD	MF4150/4140 AUS	
48	FK2-7595-000		1	CABLE, USB	EUR/AU/ASIA/CN/KR/JP	
49	FM2-9925-000		1	CABLE, DUPLEX		
50	FM2-9926-000		1	CABLE, RELAY BOARD		
51	FM2-9929-000		1	CABLE, DCNT-SCNT		

FIGURE 103A
INTERNAL COMPONENTS 3(ONE SIDED MODEL)

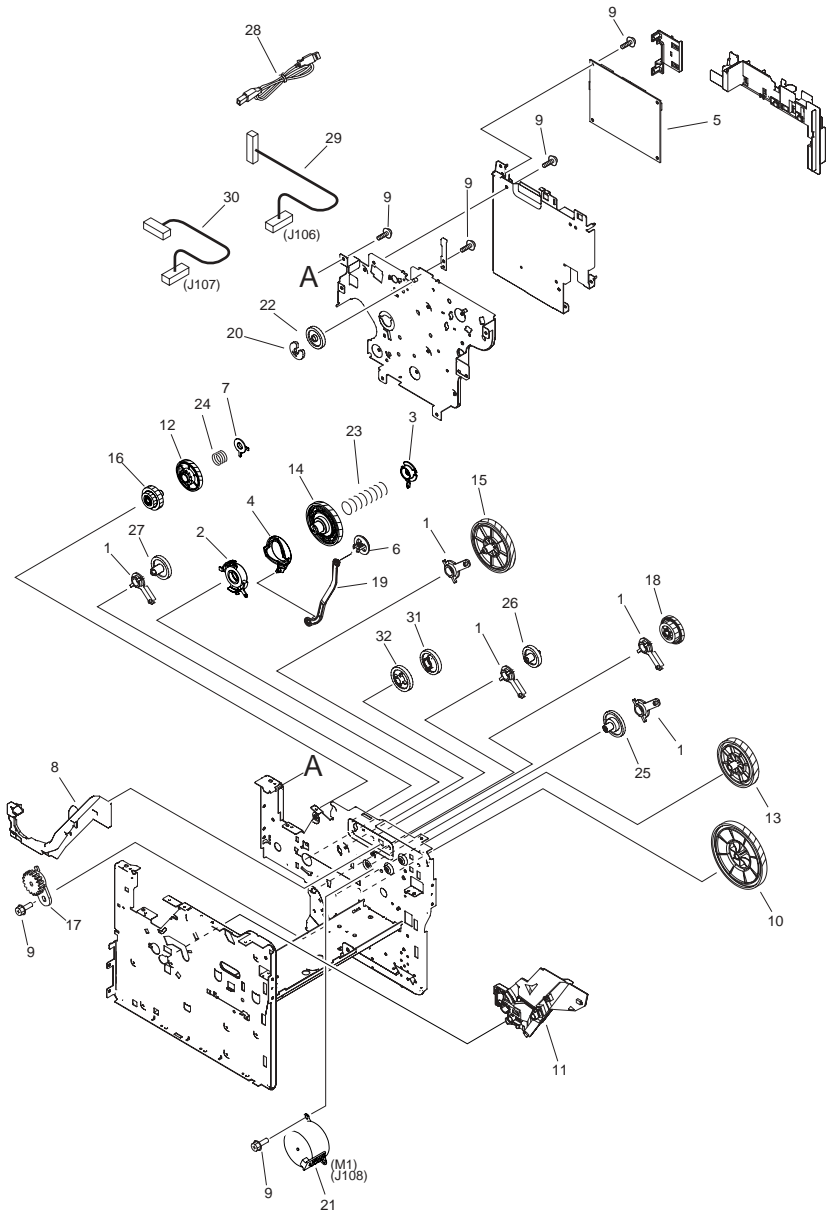


FIGURE & KEY NO.	PARTS NUMBER	R A N K	Q'TY	DESCRIPTION	SERIAL NUMBER/ REMARKS	S V C
Fig.103A	NPN		RF	INTERNAL COMPONENTS 3	ONE SIDED MODEL	
1	RA0-1019-000		5	BUSHING		
2	RC1-1953-000		1	BUSHING		
3	RC1-1954-000		1	BUSHING		
4	RC1-1955-000		1	CAM, COUPLING		
5	FK2-5927-000		1	SCNT PCB ASS'Y	EXCEPT MF4010 CN	
5	FM3-5430-000		1	SCNT PCB ASS'Y	MF4010 CN	
6	FC7-3621-000		1	STOPPER		
7	RC1-1959-000		1	BUSHING		
8	FC7-3690-000		1	GUIDE, CARTRIDGE, RIGHT		
9	XA9-1495-000		AR	SCREW, RS, M3X6		
10	RU5-0503-000		1	GEAR, 166T/87T		
11	FM2-8879-000		1	CARTRIDGE GUIDE LEFT ASS'Y		
12	RU5-0505-000		1	GEAR, 74T		
13	RU5-0174-000		1	GEAR, 117T		
14	RU5-0175-000		1	GEAR, 108T		
15	RU5-0176-000		1	GEAR, 129T		
16	RU5-0506-000		1	GEAR, 35T/18T		
17	RA0-1172-000		1	GEAR, 17T		
18	RU5-0179-000		1	GEAR, 66T/25T		
19	FC7-3647-000		1	ARM, CARTRIDGE		
20	FC6-5210-000		1	RETAINING RING (E-TYRE)		
21	RK2-0777-000		1	MOTOR, STEPPING, DC		
22	FU7-0544-000		1	GEAR, 29T		
23	FU6-2254-000		1	SPRING, COMPRESSION		
24	FU6-2255-000		1	SPRING, COMPRESSION		
25	FU7-0538-000		1	GEAR, 68/17T		
26	FU7-0539-000		1	GEAR, 28T		
27	FU7-0543-000		1	GEAR, 31T		
28	FK2-7595-000		1	CABLE, USB	EXCEPT MF4012B/ 4012G/4010B	
28	FK2-7595-000		1	CABLE, USB	MF4012B/4012G/4010B	

FIGURE & KEY NO.	PARTS NUMBER	R A N K	Q'TY	DESCRIPTION	SERIAL NUMBER/ REMARKS	S V C
29	FM2-9925-000		1	CABLE, DUPLEX		
30	FM2-9929-000		1	CABLE, DCNT-SCNT		
31	FU7-0970-000		1	GEAR, 30T		
32	FU7-0971-000		1	GEAR, 31T		

FIGURE 104
BASE PLATE ASS'Y

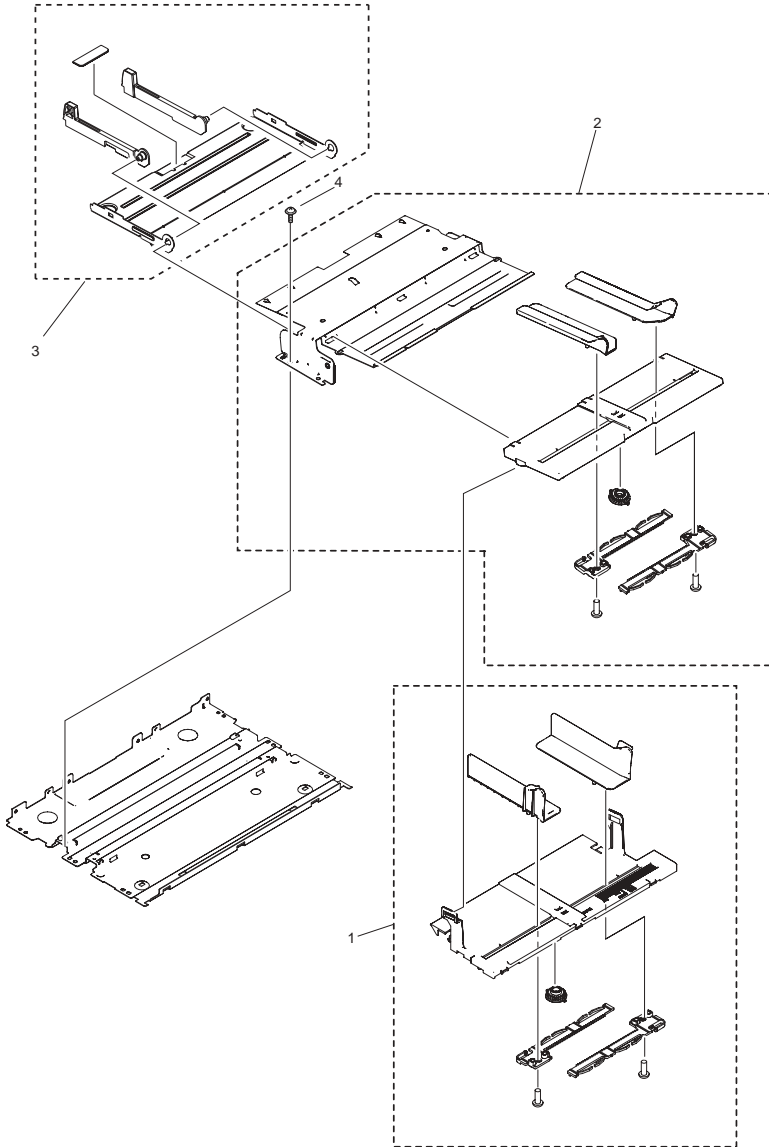


FIGURE & KEY NO.	PARTS NUMBER	RANK	Q'TY	DESCRIPTION	SERIAL NUMBER/REMARKS	SVC
Fig.104	NPN		RF	BASE PLATE ASS'Y		
1	FM2-8876-000		1	CENTER PLATE GUIDE RAIL ASS'Y	EXCEPT MF4010 EUR	
1	FM3-4116-000		1	CENTER PLATE GUIDE RAIL ASS'Y	MF4010 EUR	
2	FM2-8877-000		1	FEED GUIDE RAIL ASS'Y	EXCEPT MF4010 EUR	
2	FM3-4117-000		1	FEED GUIDE RAIL ASS'Y	MF4010 EUR	
3	FM2-8910-000		1	LIFTING PLATE ASS'Y		
4	XA9-1495-000		4	SCREW, RS, M3X6		

FIGURE 310 PAPER PICK-UP ASS'Y

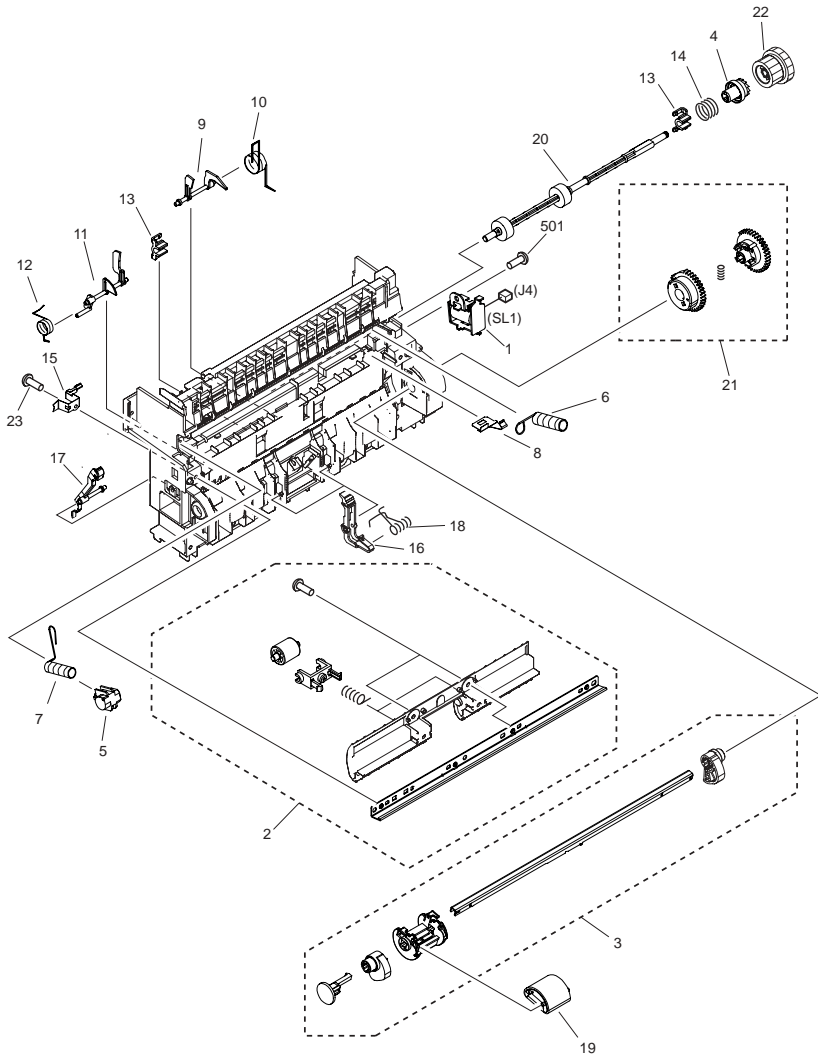


FIGURE & KEY NO.	PARTS NUMBER	R A N K	Q'TY	DESCRIPTION	SERIAL NUMBER/ REMARKS	S V C
Fig.310	FM3-4113-000		1	PAPER PICK-UP ASS'Y	MF4010 EUR/MF4018/ 4012B/4012G/4010B	
Fig.310	FM2-8871-010		1	PAPER PICK-UP ASS'Y	EXCEPT MF4010 EUR/ MF4018/4012B/4012G/ 4010B	
1	FK2-3508-000		1	SOLENOID		
2	FM2-8872-000		1	FEED CROSSMEMBER ASS'Y		
3	FM2-8911-000		1	PAPER PICK-UP SHAFT ASS'Y		
4	RC1-1960-000		1	RATCHET		
5	RC1-1990-000		1	BUSHING		
6	RC1-1993-000		1	SPRING, TORSION		
7	RC1-1994-000		1	SPRING, TORSION		
8	FC7-3823-000		1	SPRING, LEAF		
9	RC1-2040-000		1	FLAG, REGIST. SENSOR		
10	RC1-2041-000		1	SPRING, TORSION		
11	FC8-9172-000		1	FLAG, PAPER WIDTH SENSOR	NEW	
11	FC7-3813-000		1	FLAG, PAPER WIDTH SENSOR	OLD	
12	RC1-2043-000		1	SPRING, TORSION		
13	RC1-2044-000		2	BUSHING		
14	FU6-2255-000		1	SPRING, COMPRESSION1		
15	RC1-5550-000		1	PLATE,TRANSFER GROUNDING,FRONT		
16	RC1-5551-000		2	PAD, SUB		
17	RC1-5552-000		1	LEVER, CARTRIDGE DETECT		
18	RC1-5553-000		2	SPRING, TORSION		
19	RL1-0266-000		1	ROLLER, PICK-UP		
20	RL1-0268-000		1	ROLLER, FEED		
21	RM1-2046-000		1	PAPER PICK-UP GEAR ASS'Y		
22	RU5-0180-000		1	GEAR, 21T/29T		
23	XA9-1503-000		2	SCREW, TAP, M3X6		
501	XB4-5401-009		1	SCREW, TAP, M4X10		

FIGURE 400 READER ASS'Y

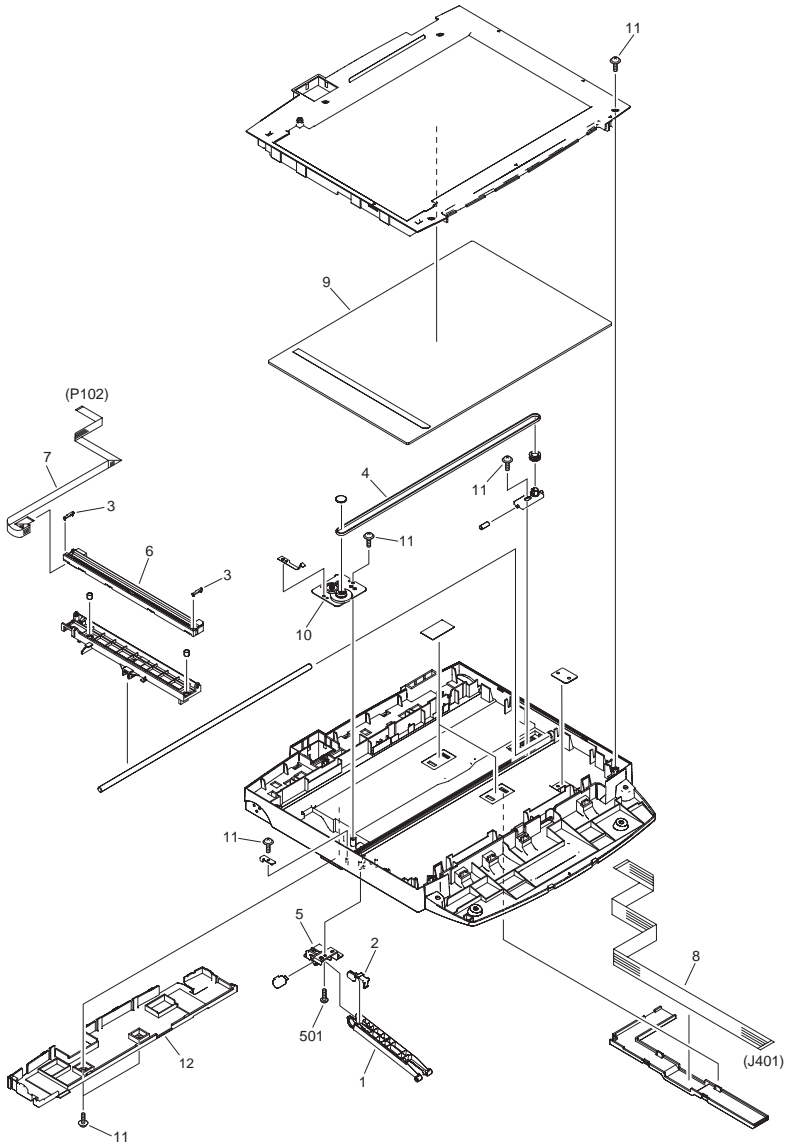


FIGURE & KEY NO.	PARTS NUMBER	R A N K	Q'TY	DESCRIPTION	SERIAL NUMBER/ REMARKS	S V C
Fig.400	FM3-4111-000		1	READER ASS'Y	MF4010 EUR	
Fig.400	FM3-4101-000		1	READER ASS'Y	MF4010 JP/MF4018/ 4012B/4012G/4010B	
Fig.400	FM2-8913-000		1	READER ASS'Y	MF4140/4120/4122/ MF4010 CN, KR/ MF4120K/MF4012 ASIA, CN	
Fig.400	FM2-8867-000		1	READER ASS'Y	MF4150/4150K/4130	
1	FC7-3615-000		1	STAY, READER		
2	FC7-3616-000		1	RETAINER, DAMPER		
3	FC7-3623-000		1	SPACER, CIS		
4	FC7-3630-000		1	BELT, TIMING		
5	FC7-3713-000		1	HOLDER, DAMPER		
6	FK2-2869-000		1	CONTACT IMAGE SENSOR ASSY		
7	FK2-3516-000		1	CABLE, FLAT, SCNT-CIS	EXCEPT MF4012B/ 4012G/4010B	
7	FK2-4642-000		1	CABLE, FLAT, SCNT-CIS	MF4012B/4012G/4010B	
8	FK2-3517-000		1	CABLE, FLAT, SCNT-OP	EXCEPT MF4012B/ 4012G/4010B	
8	FK2-3765-000		1	CABLE, FLAT	MF4012B/4012G/4010B	
9	FL3-1388-000		1	COPYBOARD GLASS ASS'Y	EFG	
9	FL2-5621-000		1	COPYBOARD GLASS ASS'Y	EXCEPT EFG	
10	FM2-8868-000		1	CIS DRIVE MOTOR ASS'Y		
11	XA9-0476-000		AR	SCREW,TP M3X8		
12	FC7-3553-000		1	GUIDE, CABLE	EXCEPT MF4010 JP/ MF4018/4012B/4012G/ 4010B	
12	FC8-0657-000		1	GUIDE, CABLE	MF4010 JP/MF4018/ 4012B/4012G/4010B	
501	XB4-5401-000		3	SCREW, TAP, M4X10		

FIGURE 810
FIXING ASS'Y

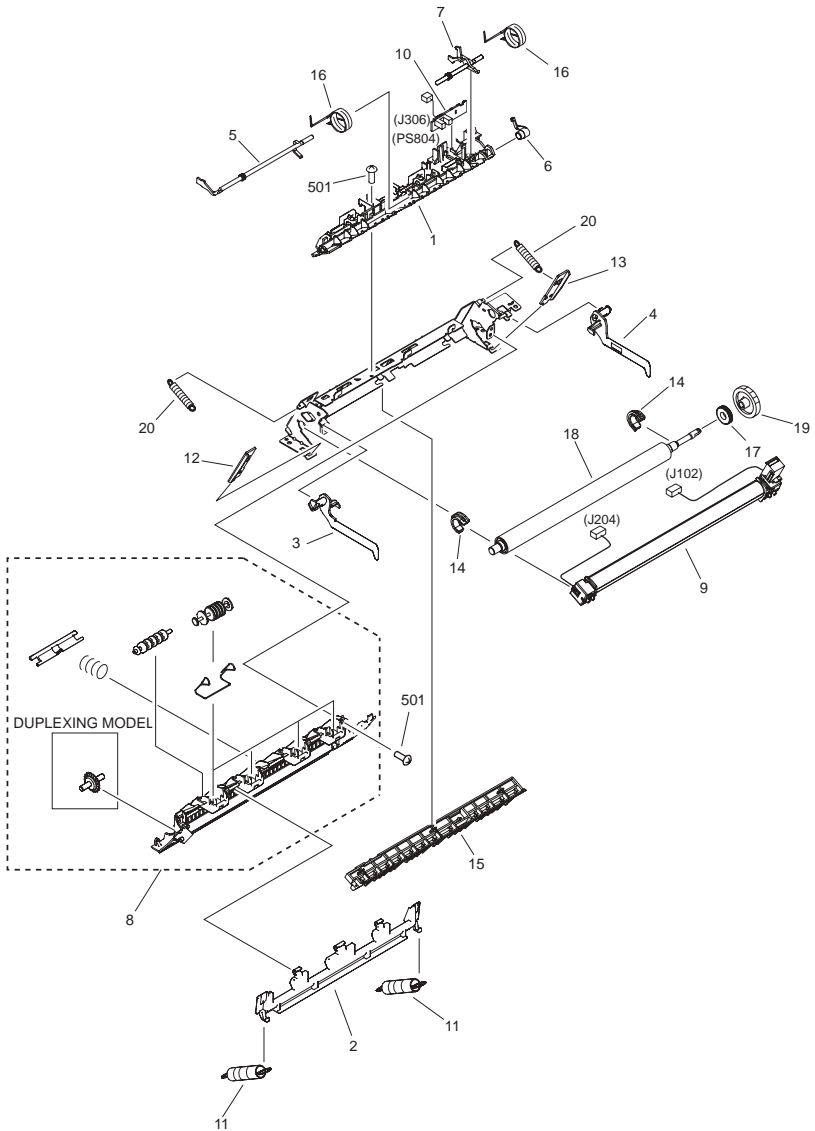


FIGURE & KEY NO.	PARTS NUMBER	R A N K	Q'TY	DESCRIPTION	SERIAL NUMBER/ REMARKS	S V C
Fig.810	FM2-8890-000		1	FIXING ASS'Y	DUPLEXING MODEL 100V	
Fig.810	FM2-8891-000		1	FIXING ASS'Y	DUPLEXING MODEL 120V	
Fig.810	FM2-8892-000		1	FIXING ASS'Y	DUPLEXING MODEL 230V	
Fig.810	FM3-9475-000		1	FIXING ASS'Y	MF4018/4012B/4012G/ 4010B	
Fig.810	FM3-4109-000		1	FIXING ASS'Y	ONE SIDED MODEL 100V	
Fig.810	FM3-4097-000		1	FIXING ASS'Y	ONE SIDED MODEL 230V EXCEPT MF4018	
1	FC7-3557-000		1	GUIDE, SEPARATION		
2	FC7-3641-010		1	GUIDE, ENTRANCE	DUPLEXING MODEL/ MF4018/4012B/4012G/ 4010B	
2	FC8-0685-010		1	GUIDE, ENTRANCE	ONE SIDED MODEL EXCEPT MF4018/4012B/ 4012G/4010B	
3	FC7-3642-000		1	LEVER, PRESSURE RELEASE, LEFT		
4	FC7-3643-000		1	LEVER, PRESSURE RELEASE, RIGHT		
5	FC7-3644-000		1	FLAG, PAPER DELIVERY SENSOR		
6	FC7-3645-000		1	BUSHING		
7	FC7-3652-000		1	FLAG, PAPER WIDTH SENSOR		
8	FM2-8885-000		1	FIXING COVER UNIT	DUPLEXING MODEL	
8	FM3-4098-000		1	FIXING COVER UNIT	ONE SIDED MODEL	
9	FM2-8917-000		1	FIXING FILM ASS'Y	100V	
9	FM2-8915-000		1	FIXING FILM ASS'Y	120V	
9	FM2-8916-000		1	FIXING FILM ASS'Y	230V	
10	FM3-0255-000		1	SENSOR PCB ASS'Y		
11	FU6-2875-000		2	SPRING, TENSION		
12	FC7-3826-000		1	PLATE, PRESSURE, LEFT		
13	FC7-3825-000		1	PLATE, PRESSURE, RIGHT		
14	RC1-2079-000		2	BUSHING		
15	RC1-2097-000		1	GUIDE, ENTRANCE		
16	RC1-2098-000		2	SPRING, TORSION		
17	RC1-2139-000		1	BUSHING		

FIGURE & KEY NO.	PARTS NUMBER	R A N K	Q'TY	DESCRIPTION	SERIAL NUMBER/ REMARKS	S V C
19	RU5-0523-000		1	GEAR, 37T		
20	RU5-2178-000		2	SPRING, TENSION		
501	XB2-8300-609		3	SCREW, RS, M3X6		

FIGURE A10
ADF ASS'Y

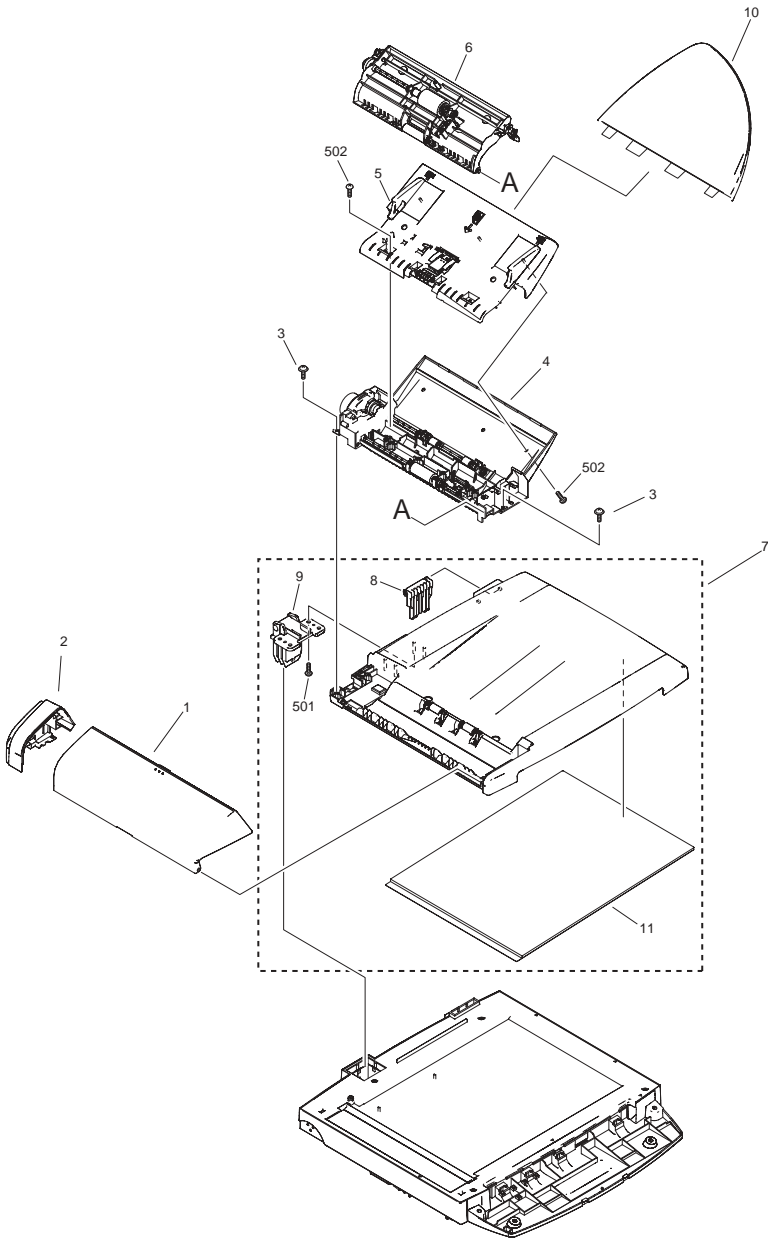


FIGURE & KEY NO.	PARTS NUMBER	R A N K	Q'TY	DESCRIPTION	SERIAL NUMBER/ REMARKS	S V C
Fig.A10	NPN		RF	ADF ASS'Y	MF4150/4150K/4130	
1	FC7-3741-000		1	COVER, ADF, UPPER	ADF MODEL 100V	
1	FC7-3544-000		1	COVER, ADF, UPPER	EXCEPT JP	
2	FC7-3742-000		1	COVER, ADF, REAR	ADF MODEL 100V	
2	FC7-3549-000		1	COVER, ADF, REAR	EXCEPT JP	
3	XA9-0476-000		7	SCREW, TP M3X8		
4	FM2-8861-000		1	DOCUMENT FEED UNDER ASS'Y		
5	FM2-8862-000		1	DOCUMENT GUIDE ASS'Y		
6	FM2-8864-000		1	DOCUMENT FEED UPPER ASS'Y		
7	FM2-8865-000		1	ADF BASE ASS'Y		
8	FC7-3637-000		1	HINGE, ADF		
9	FC7-3702-000		1	HINGE, ADF		
10	FC7-3548-000		1	TRAY, DOCUMENT		
11	FC7-3607-000		1	PANEL, COPYBOARD		
501	XB4-5401-009		4	SCREW, TAP, M4X10		
502	XB4-7300-807		3	SCREW, TP BH M3X8		

Prepared by
OIP Service Management Center
CANON INC.

Canon